

## Active Optical Cables

### VIA USB 3.0 Hybrid AOC

VIA USB 3.0 Hybrid Active Optical Cable for long range connections



#### Features

- Supports High Speed 5Gbps data transfer
- Long distance transmission >50m
- Plug and play compatible - USB 1.0/1.1/2.0 to USB 3.0 conversion supported
- High EMI and ESD resistance
- No external power adapter required – 5V/900mA power supply

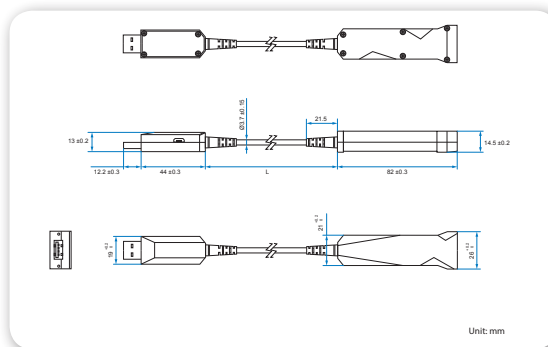
#### Specifications

| Model Name                              | USB 3.0 Hybrid Active Optical Cable (AOC)                               |  |
|---|---|--|
| Interface                               | Host Side   | USB 3.0 male (with locking screws)                                 |
|   | Device Side   | USB 3.0 female (with locking threads)                              |
| Data Rate                               | USB 3.0 Super Speed up to 5Gbps<br>Backward compatible with USB 2.0/1.1 |  |
| Cable Length                            | 10M / 20M / 30M / 50M   |  |
| Power                                   | Host Side   | USB Bus power supply   |
|   | Device Side   | Maximum current supplied: 5V 900mA (10m/20m/30m)<br>5V 600mA (50m) |
| Power Consumption                       | 0.94W   |  |
| Cable Diameter                          | 3mm (0.12")   |  |
| Bend Radius (Dynamic/Static)            | 60mm/30mm   |  |
| Tensile Strength (Long Term/Short Term) | 100N/200N   |  |
| Crush Resistance (Long Term/Short Term) | 200N/400N   |  |
| USB 3.0 Interface Dimensions            | Host Side   | 27mm(W) x 13mm(H) x 44mm(D) (1.06" x 0.51" x 1.73")                |
|   | Device Side   | 26mm(W) x 14.5mm(H) x 82mm(D) (1.02" x 0.57" x 3.23")              |
| Operating Temperature                   | 0°C ~ 55°C  |  |
| Storage Temperature                     | -20°C ~ 80°C  |  |
| Mechanical Construction                 | Silver metal housing  |  |
| Certification                           | CE, FCC   |  |

#### Ordering Information

| Part Number  | Description  |
|--------------|--|
| 99G33-10093L | 10M USB 3.0 Hybrid male to female Active Optical Cable |
| 99G33-10094L | 20M USB 3.0 Hybrid male to female Active Optical Cable |
| 99G33-10095L | 30M USB 3.0 Hybrid male to female Active Optical Cable |
| 99G33-10096L | 50M USB 3.0 Hybrid male to female Active Optical Cable |

#### Dimensions



\* All product specifications are subject to change without notice. Update: Sept. 26, 2017

[www.viatech.com](http://www.viatech.com)